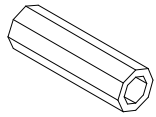


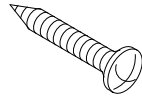
1



D6x30

8Pcs

2



ST4X30

8Pcs

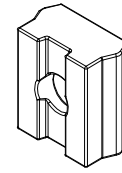
3



ST4X12

8Pcs

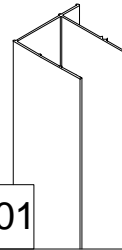
4



RF-6Y01

8Pcs

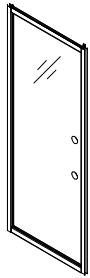
5



RF-8W01

2Pcs

6



1Pc

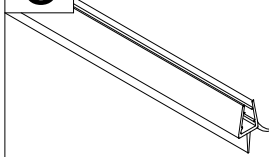
7



BWE-D05

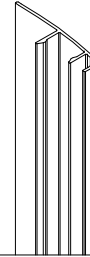
1Pc

8



1Pcs

20



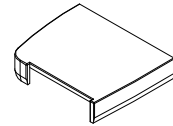
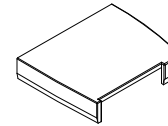
RF-6C1

2Pcs

21

L

R



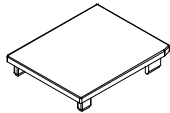
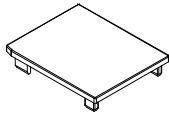
RF-8S01

2Pcs

22

L

R

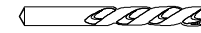


RF-8S03

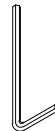
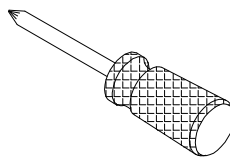
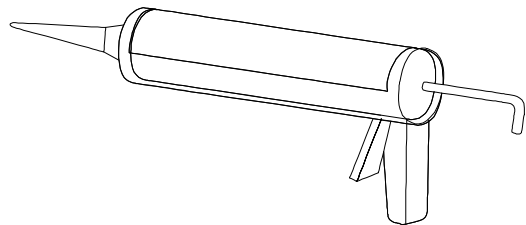
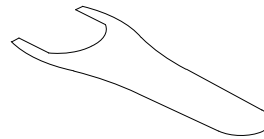
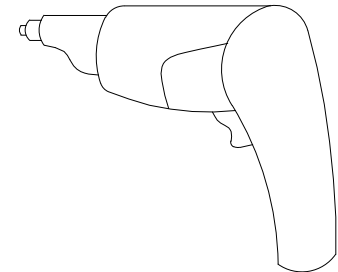
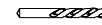
2Pcs

Tools:

Ø6mm



Ø3.2mm



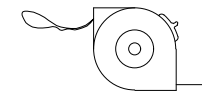
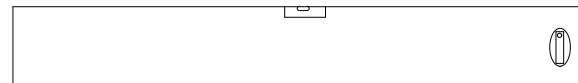
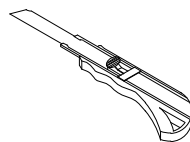
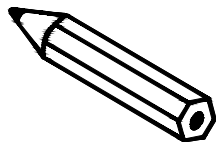
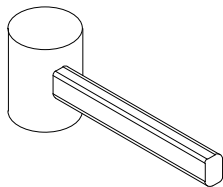
2.0 mm

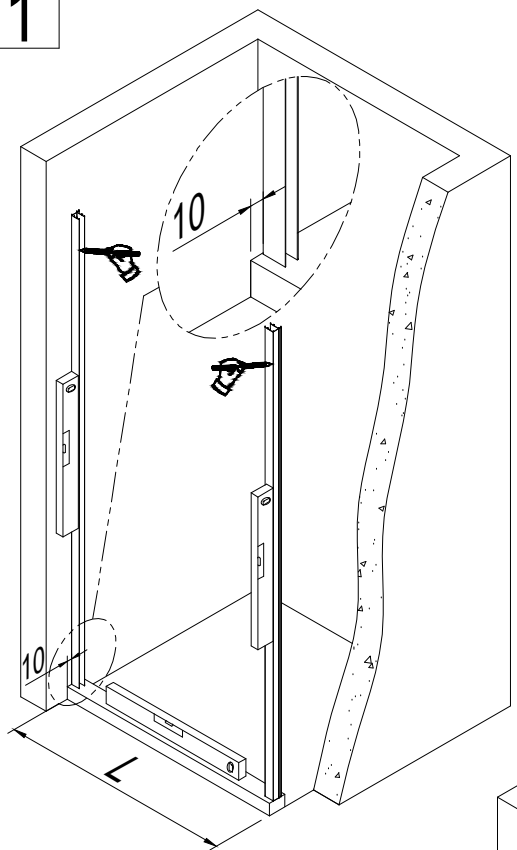


2.5mm

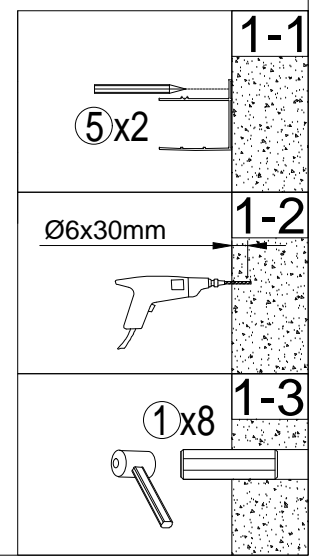
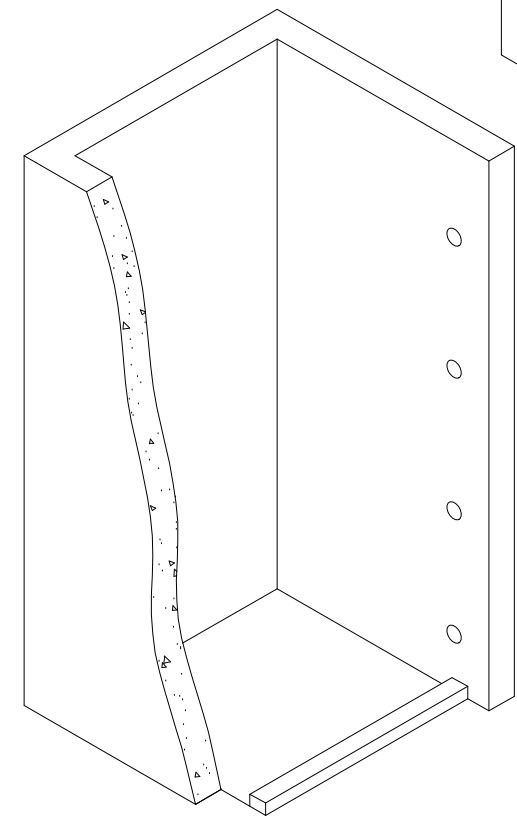
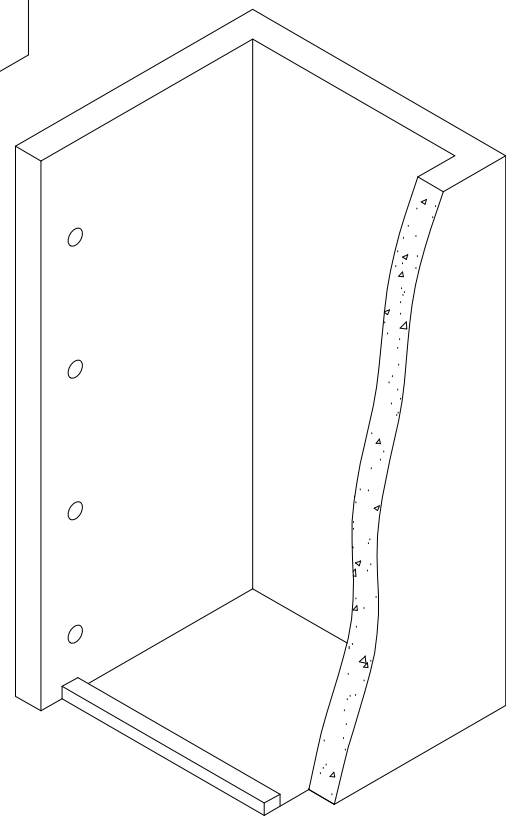
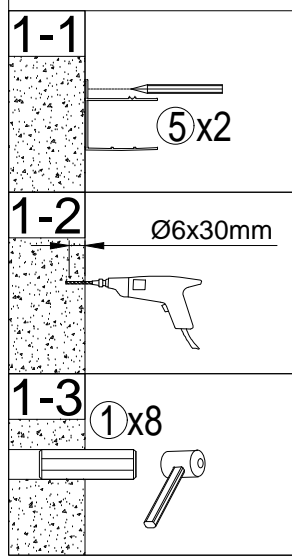
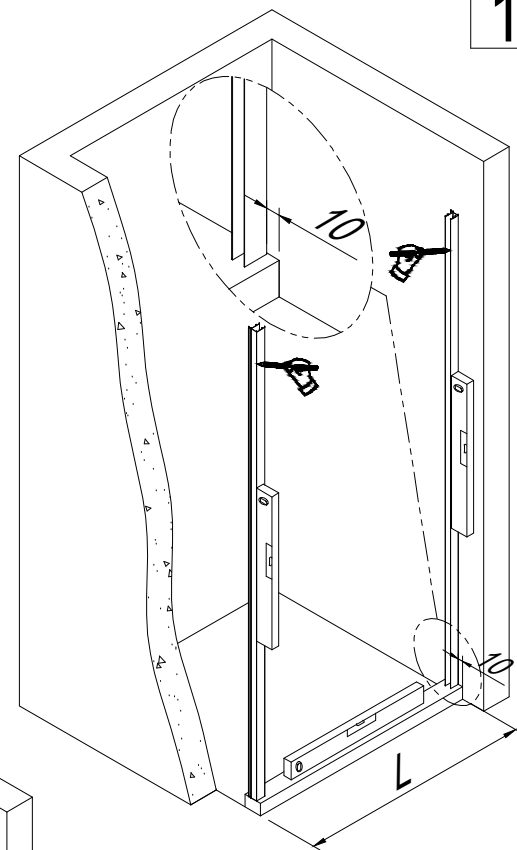


3.0 mm

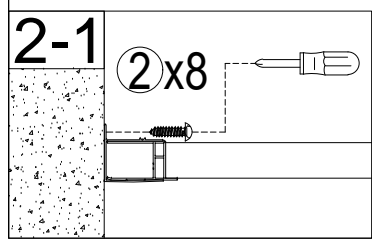
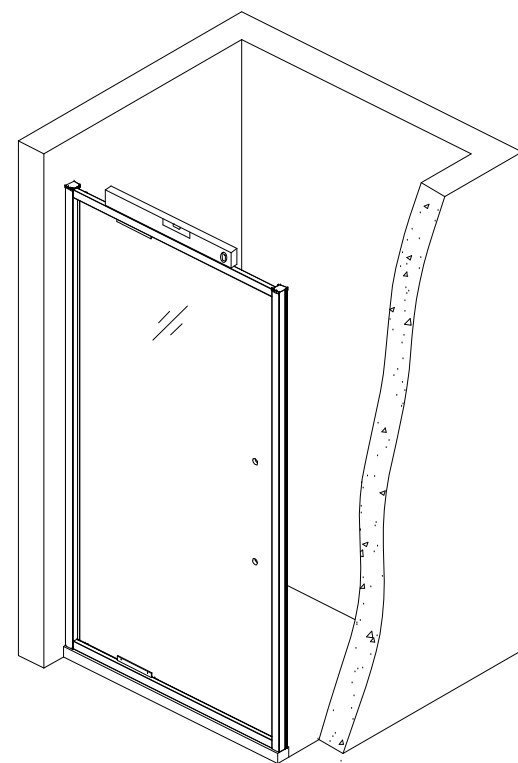
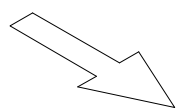
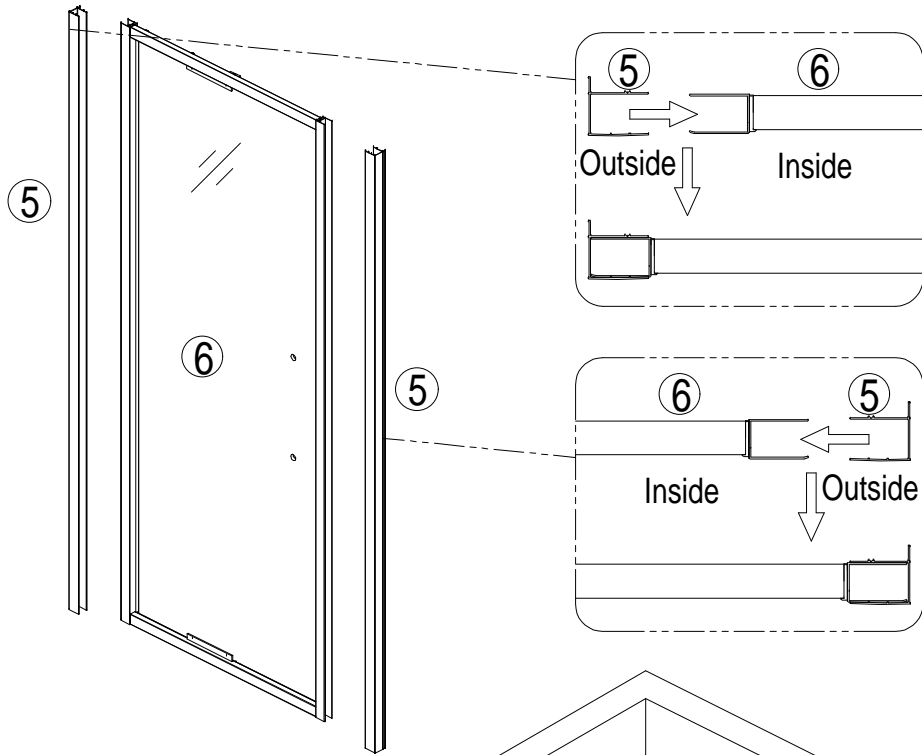


1

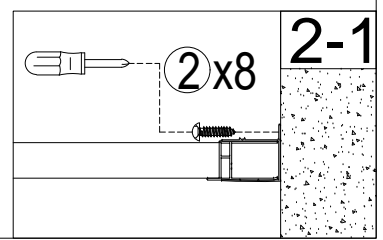
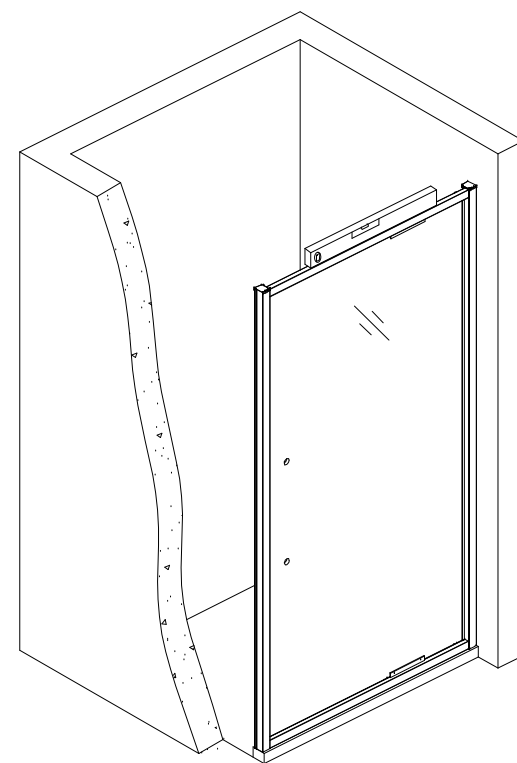
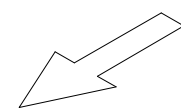
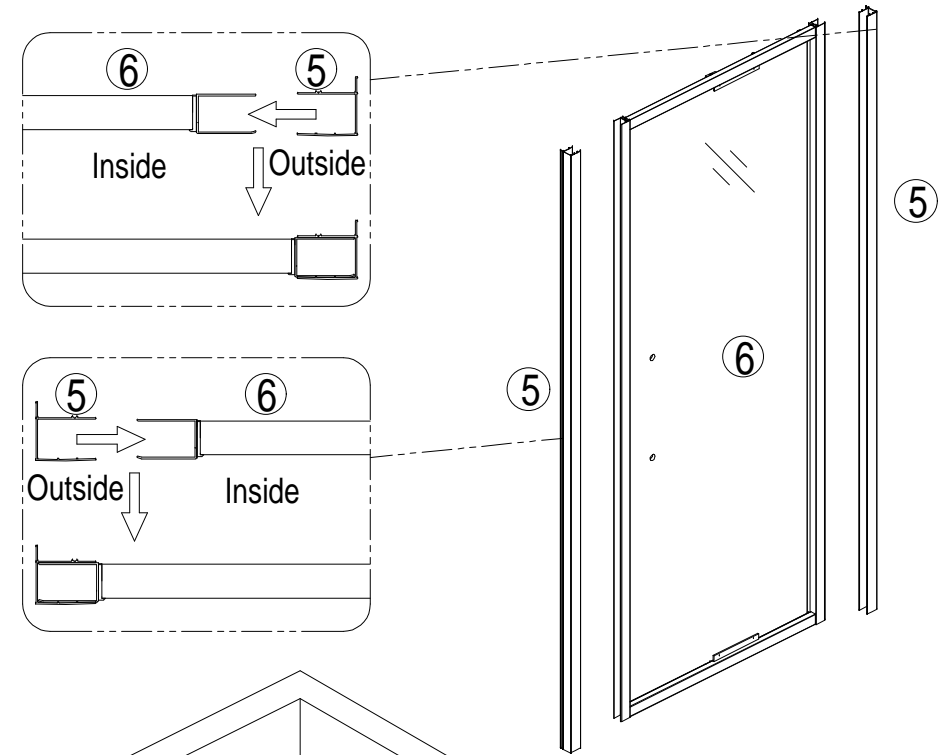
	L		L
700	640-680	700	640-680
760	700-740	760	700-740
800	740-780	800	740-780
900	840-880	900	840-880
1000	940-980	1000	940-980

1

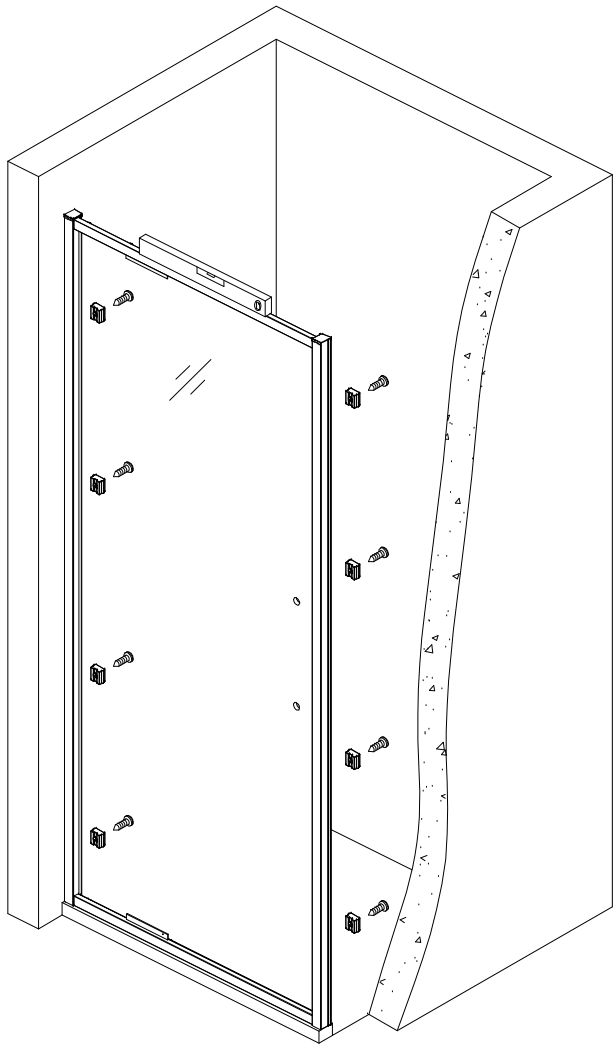
2



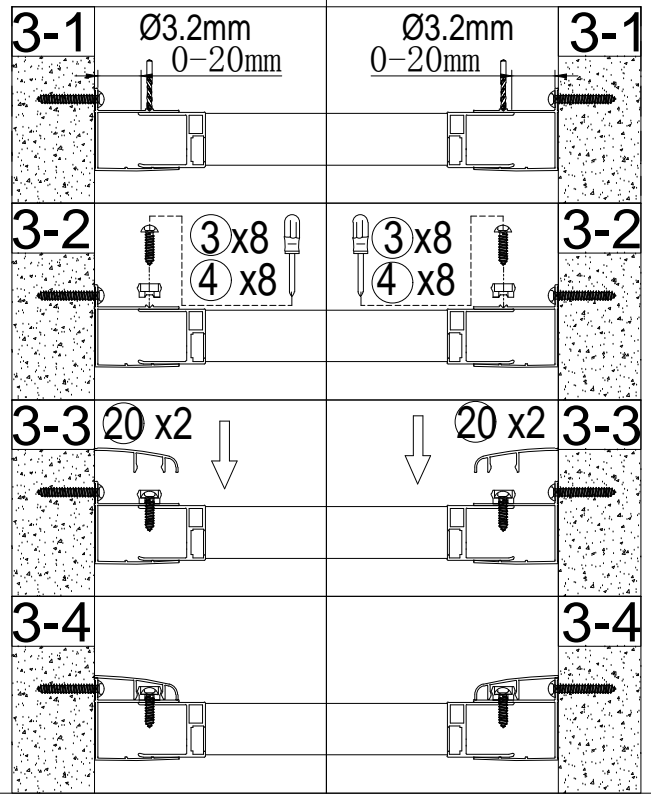
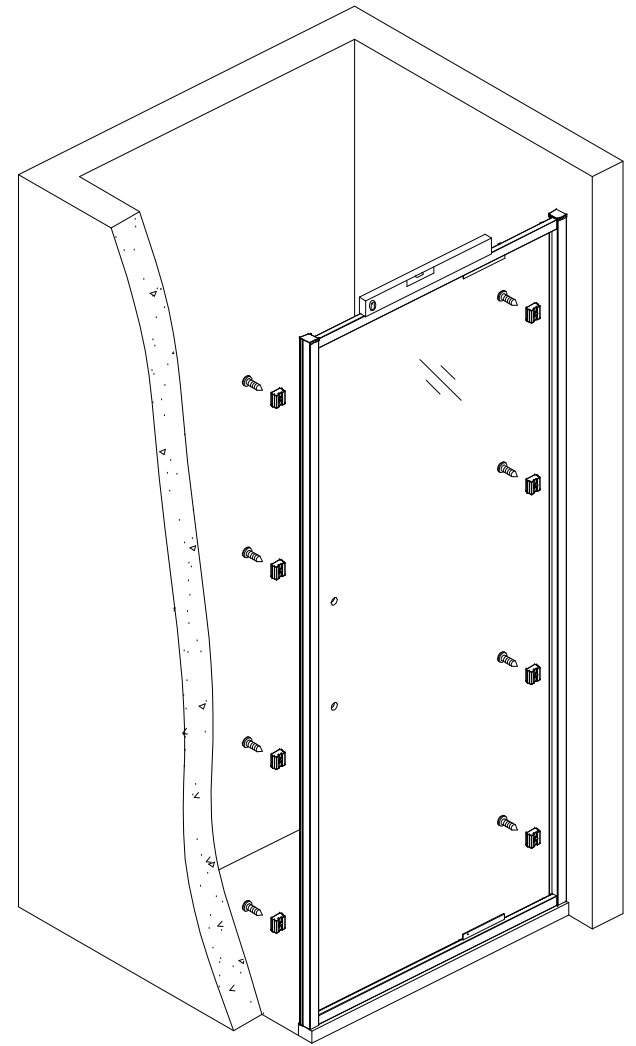
2

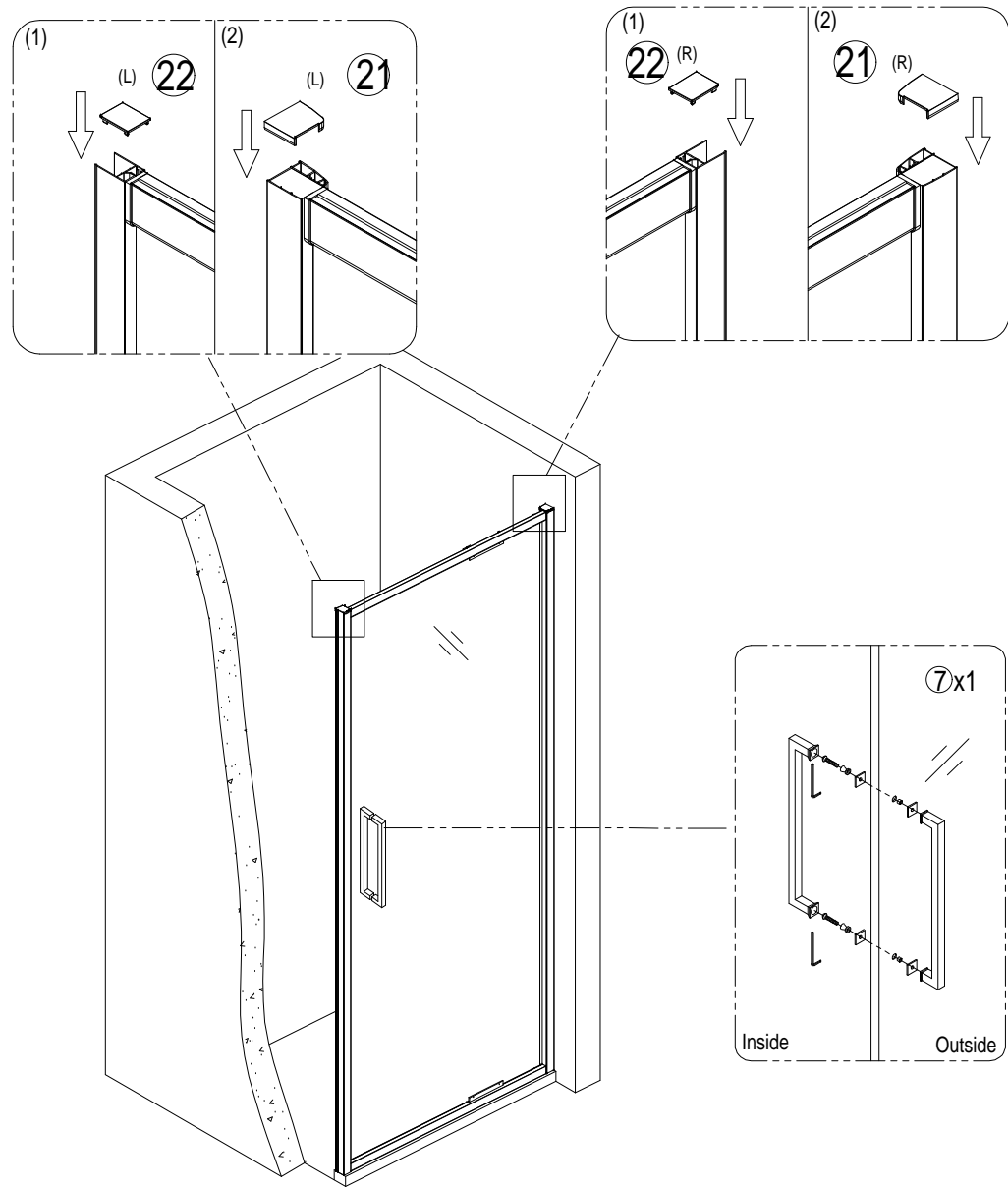
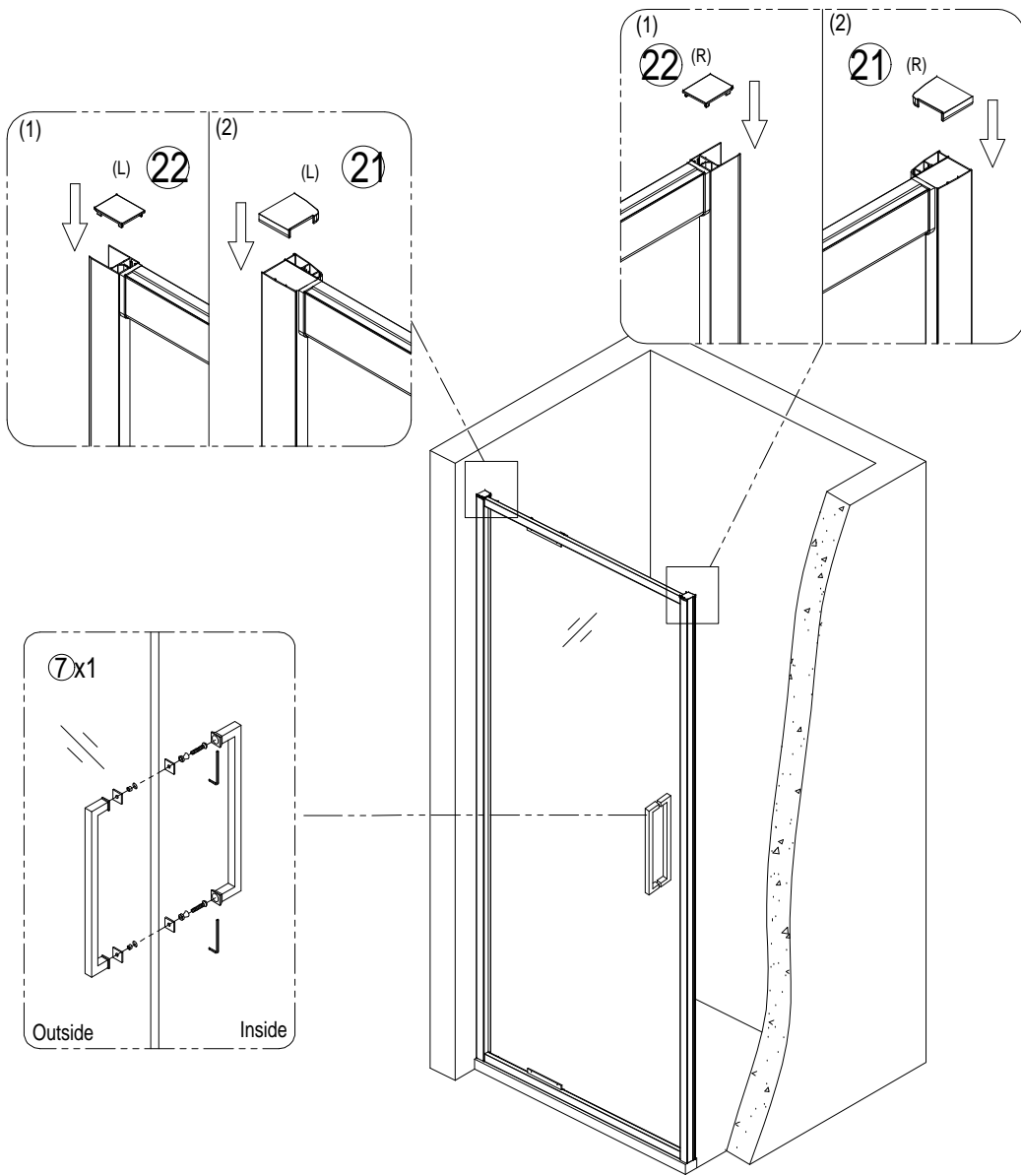


3



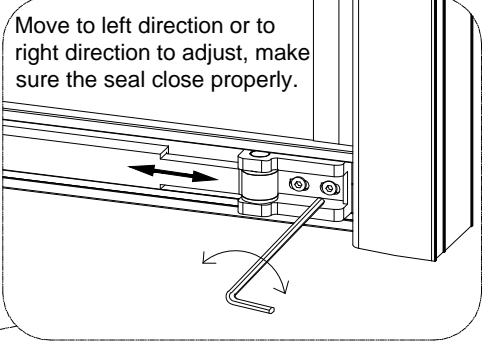
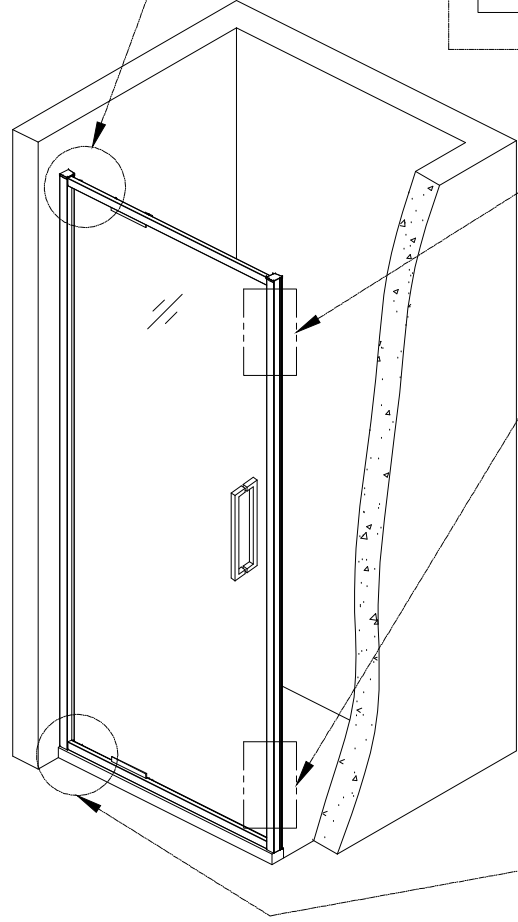
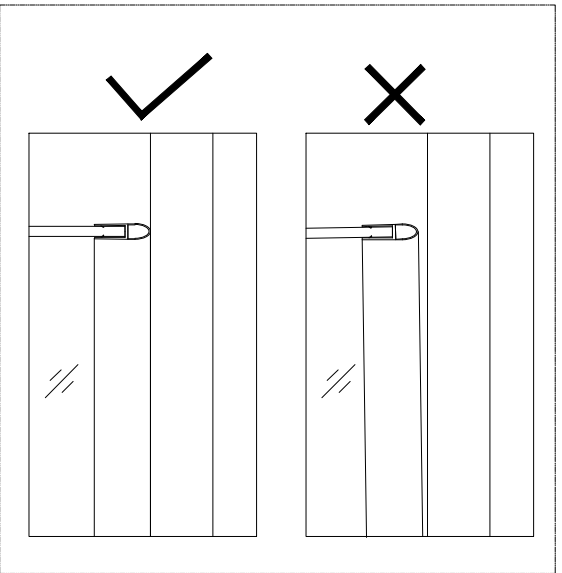
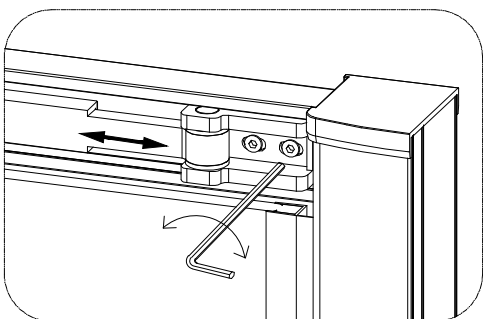
3





5

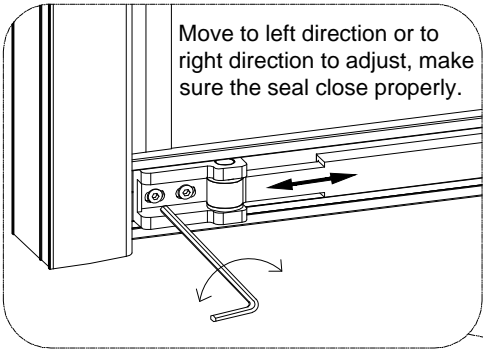
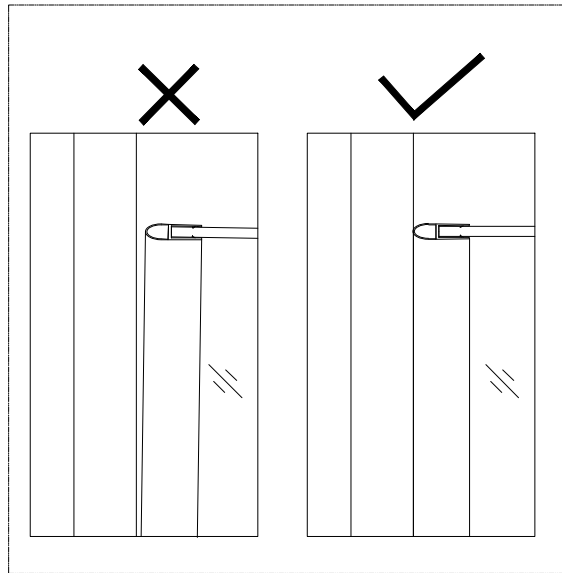
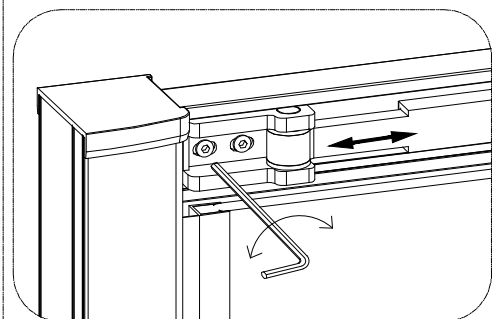
Move to left direction or to right direction to adjust, make sure the seal close properly.



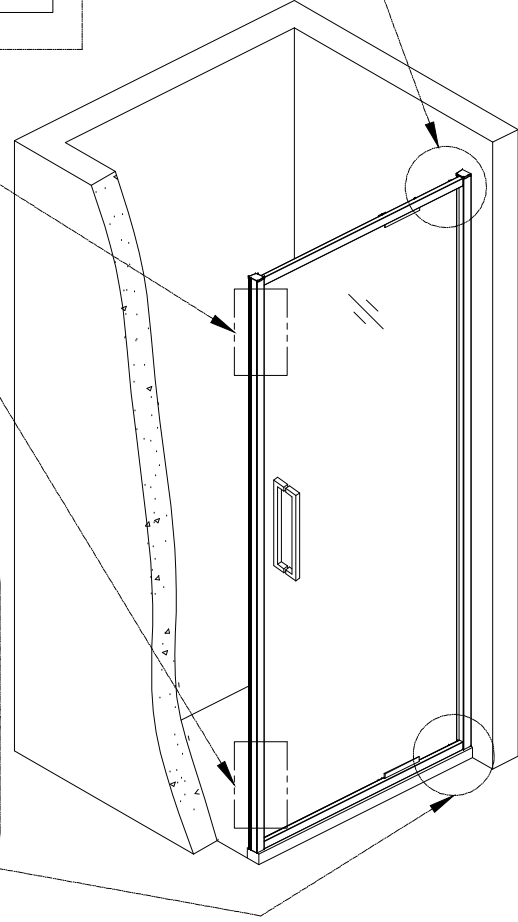
Move to left direction or to right direction to adjust, make sure the seal close properly.

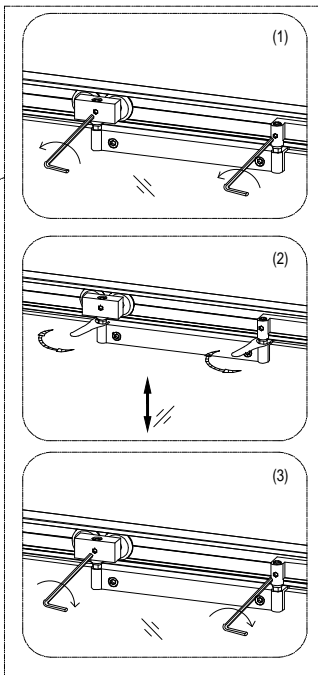
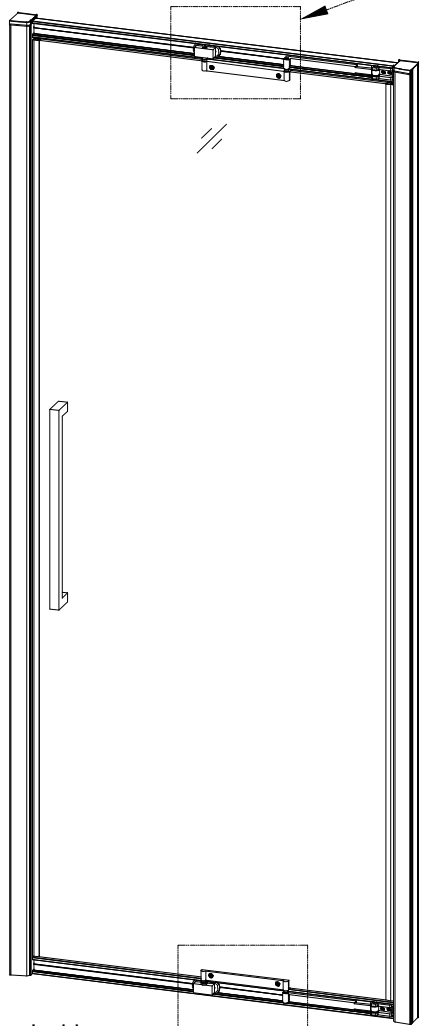
5

Move to left direction or to right direction to adjust, make sure the seal close properly.

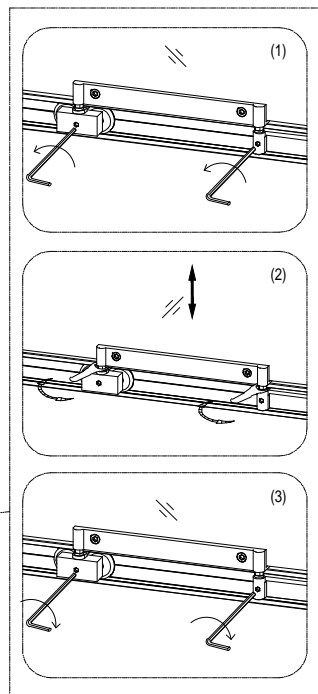


Move to left direction or to right direction to adjust, make sure the seal close properly.

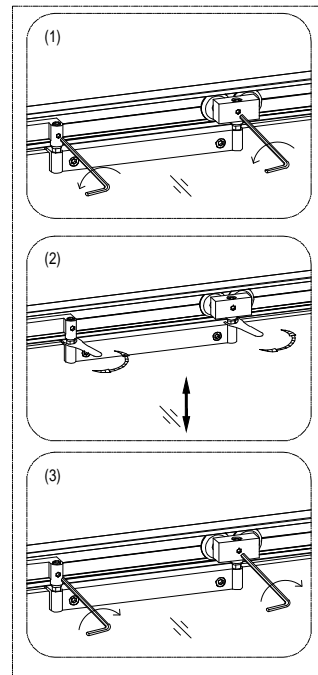




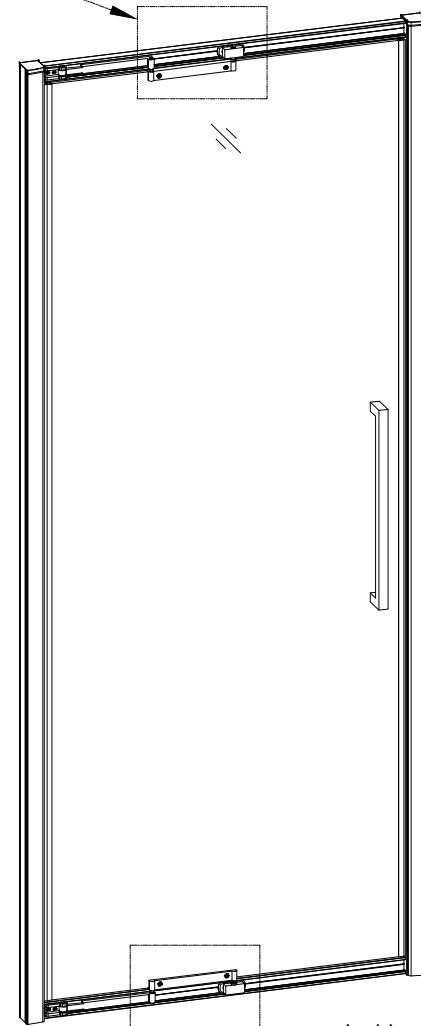
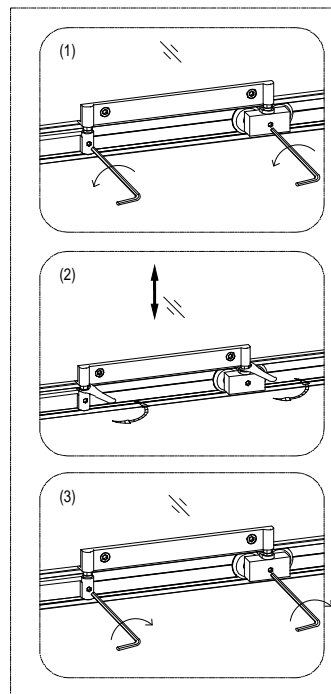
Adjust the rollers up and down to make sure sliding smooth.



Inside

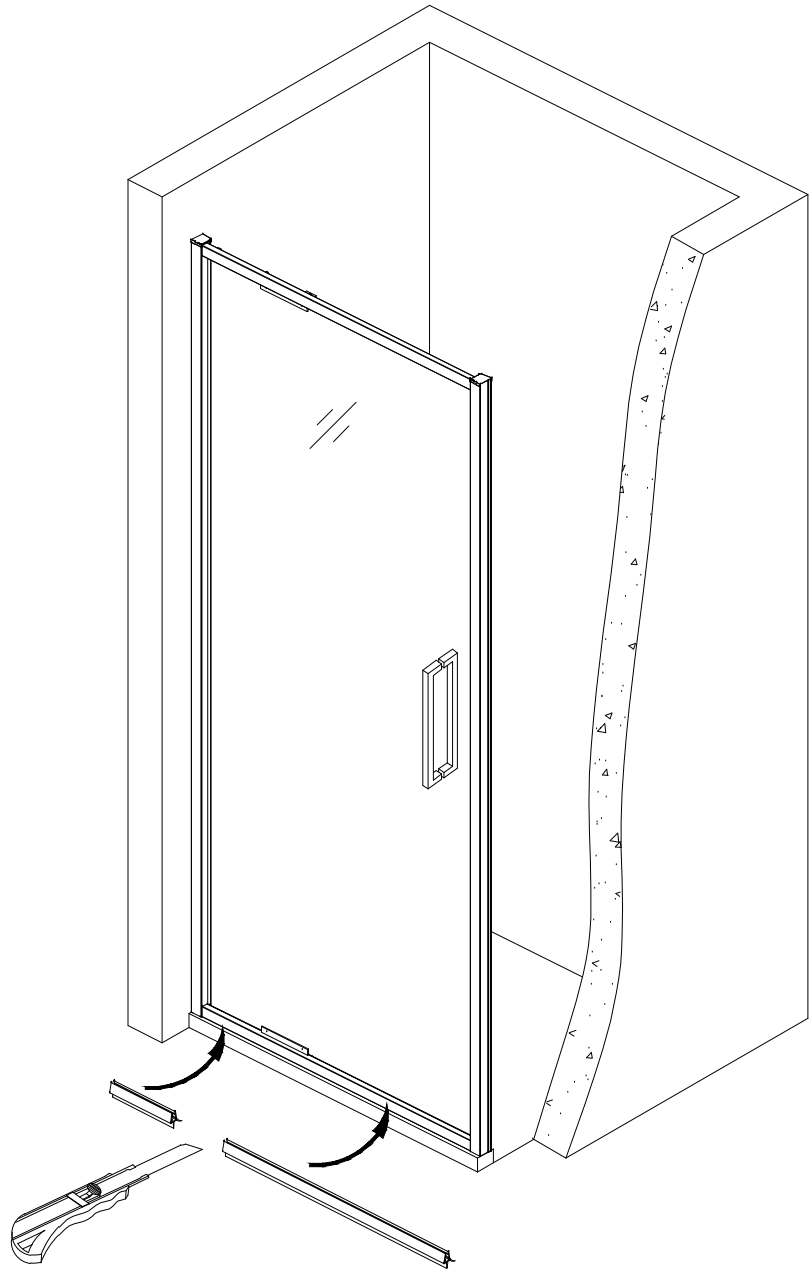


Adjust the rollers up and down to make sure sliding smooth.

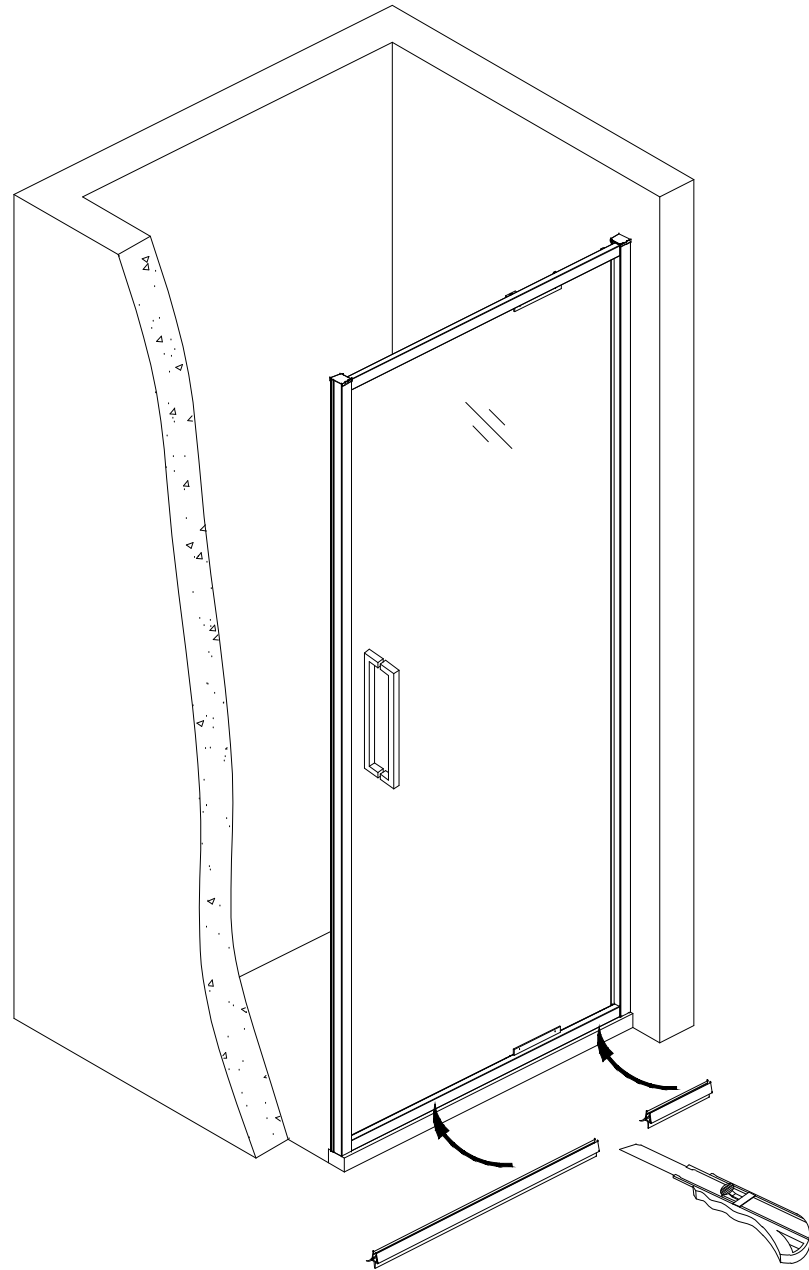


Inside

7

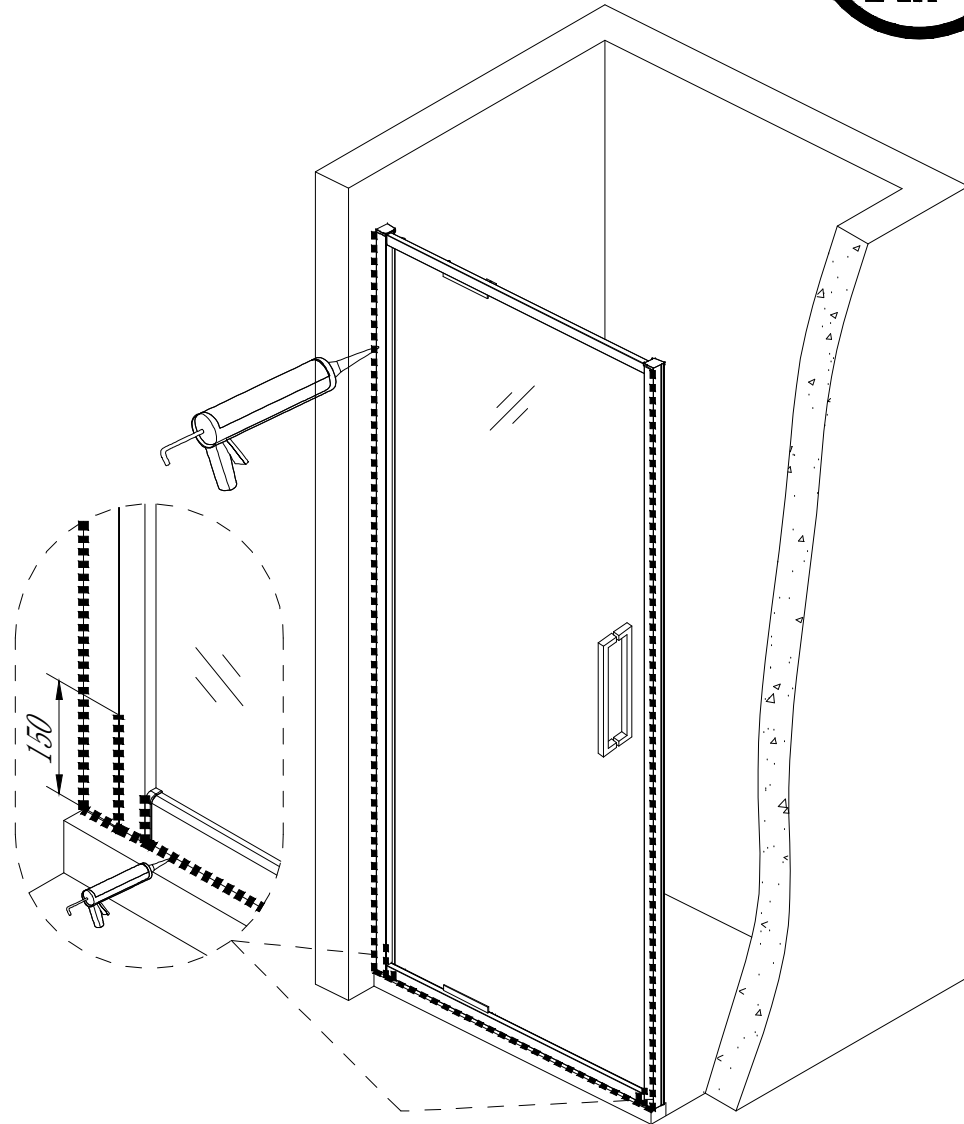


7



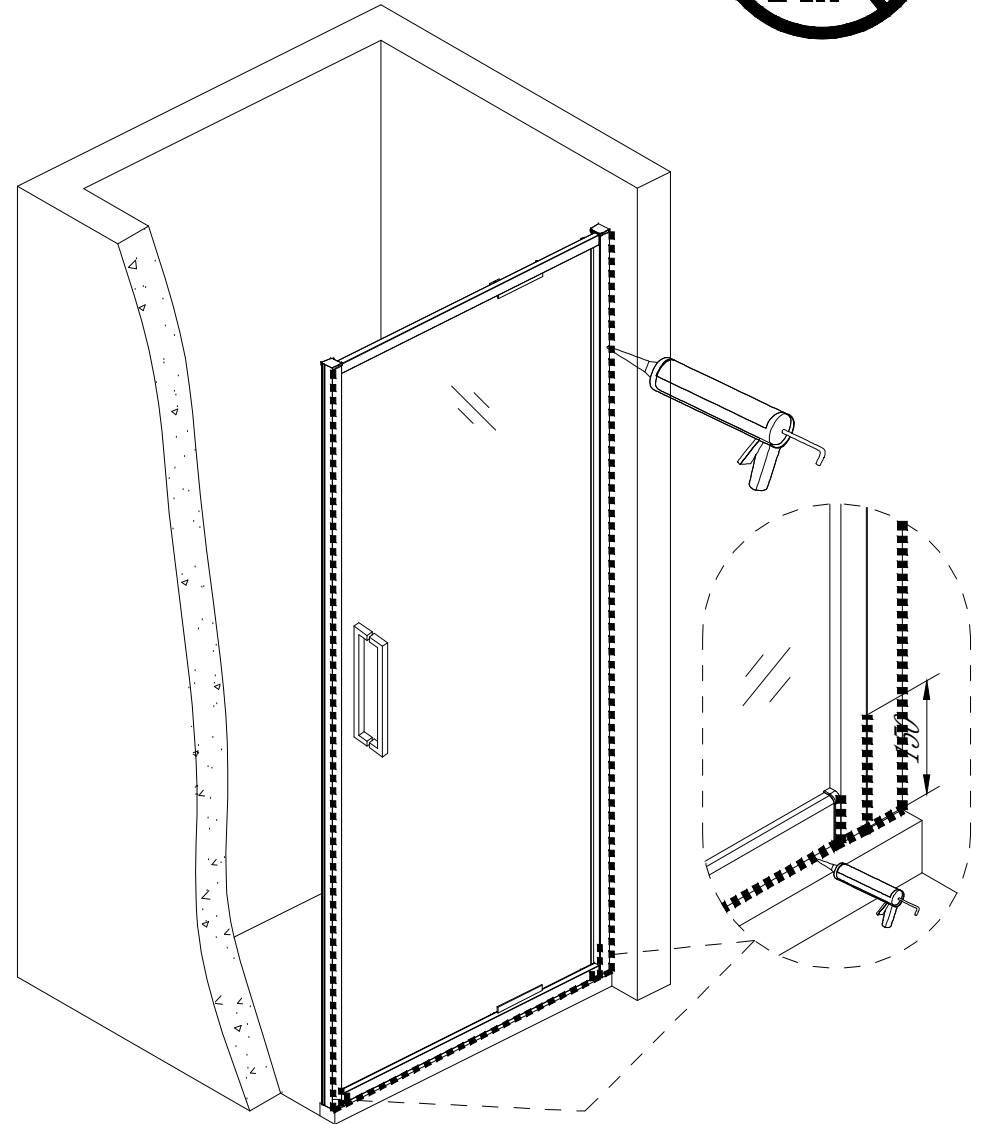
Care Instructions:

Do not use your shower enclosure within 24 hours of assembly .
Do not use caustic cleaning products or abrasive material when cleaning your shower enclosure.



Care Instructions:

Do not use your shower enclosure within 24 hours of assembly .
Do not use caustic cleaning products or abrasive material when cleaning your shower enclosure.





Eastbrook Road, Gloucester, GL4 3DB

Technical Helpline: 01452 317890

Email: technical@eastbrookco.com

Cleaning and maintenance of shower enclosures

Do not clean the shower enclosure with irritant detergents such as alcohol, bleach or other chemical cleaners.

Only clean with mild soapy water or a proprietary cleaner where the label advises it is suitable for the materials the enclosure is constructed from. Test on a small area first.

For treating limescale we would recommend distilled vinegar in a half and half solution with water.

Following installation should you find that there is a notable noise when the glass door moves you may add a small amount of silicon lubricant onto the roller wheels and tracks, hinges of clips.

It is the responsibility of the product owner to maintain the product as recommended above. Also to check for parts which have broken or become loose to protect against failure of the enclosure.